



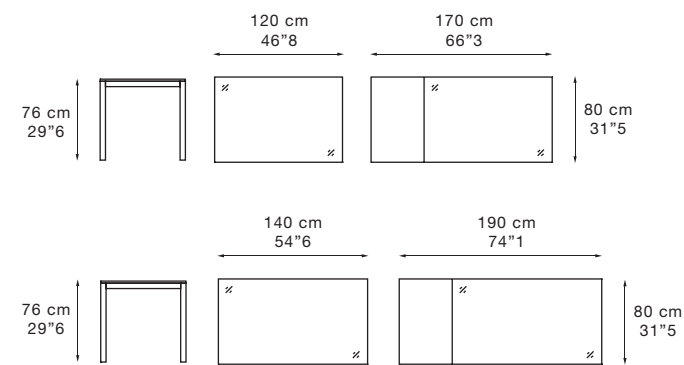
line



Piano in vetro serigrafato temperato spessore 10 mm. Allunga in pannello ecologico nobilitato melaminico. Struttura in metallo verniciato a polveri epossidiche. Disponibile in due misure.

*Top in tempered serigraphed glass thickness 10 mm. Melamine faced ecological panel extension. Structure in metal painted with epossidic dust. Available in two dimensions.*

line



|                            |                        |
|----------------------------|------------------------|
|                            |                        |
| serigrafato<br>serigraphed | alluminio<br>aluminium |
| vetro . glass              | metallo . metal        |

